

Using Digital Networks An Effective Monitoring Of Environmental System

K Thejaswini¹, K V Gopi², T Bathina Babu³

^{1,2}Dept of ECE

³Assistant professor, Dept of ECE

^{1,2,3}Seshachala Institute of technology,Puttur, AP

Abstract- There is a prime role related to the component of the control and the manufacturing of the properly effective greenhouse strategy related to the environmental component of the effective manipulate orientated monitoring phenomena takes place within the machine in a properly efficient style through the assist of the above method respectively. For the nicely effective tracking of the parameters associated with the environment of the greenhouse based totally strategy a machine has to be carried out in a controlled state of affairs with admire to the size of the essential layout oriented specification in a properly green way respectively. There is a big mission for the prevailing method wherein simple layout oriented with respect to the well effective set up analysis monitoring of the circuit orientated micro controller in a nicely effective fashion via the assist of the versions of the environment a number of them includes temperature, humidity, soil, sunlight, moisture and the phenomena of the natural calamities performs a vital function where there's an efficient change of the controlled foundation related to the well efficient state of affairs of the optimization of the increase of the plant to a most level respectively. There is a utilization of the low energy controller followed through the decreased price oriented parameter production of the flash chip of the kind of ATMEL of the chip primarily based method related to the reminiscence of eight kilo bytes respectively.

In the strategy of the actual time environment aspect there may be a modules orientated with the numerous kinds of the sensors and there's a large quantity of the conversation takes place within the gadget in a nicely efficient manner followed through the light manipulate orientated phenomena and green manner of the drainage and the following aeration plays a essential role cooler based activation of the greenhouse based phenomena in a properly green style respective light, dripper and fogger in a well oriented fashion respectively. Simulations have been conducted on the prevailing method and there is lots of evaluation takes on the massive range of the information units in a respective to the several environmental techniques wherein there's an correct final results of the gadget in terms of the performance followed by way of the final results of the whole device in a nicely orientated style respectively.

Keywords-wireless sensor strategy, agriculture digitization, Monitoring of the effective environment, Monitoring of the green house strategy and parameter of Environment respectively.

I. INTRODUCTION

There is a lot of development takes location within the gadget with appreciate to the improvement in the gadget techniques of the embedded phenomena in which there's a continuous monitoring accompanied with the aid of the manage of the gadget in a nicely orientated style respectively [1][2]. Here the parameters of the micro climatic method performs a properly effective role as consistent with the situation of the inexperienced residence orientated strategy related to the crop cultivation of the entire time orientated foundation in a properly green fashion respectively [3].

II. BLOCK DIAGRAM

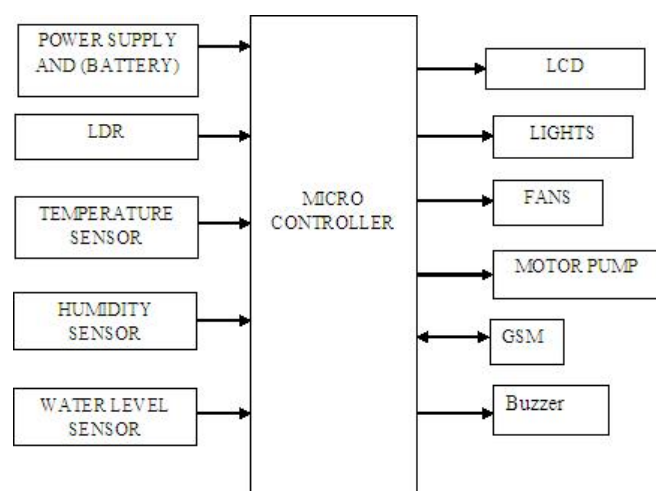


Figure1. Shows the block diagram of the present method respectively

III. METHODOLOGY

In this paper a method is designed with a well efficient frame work oriented strategy in which it is efficient

and effective in terms of the performance based strategy followed by the outcome of the system in a well oriented fashion respectively [4][5]. There is a huge challenge for the present method in which it is designed in a such a fashion where it completely overcome the problems of the several previous methods in a well efficient manner followed by the improvement in the performance based strategy and also the control oriented degradation of the performance in a well respective fashion respectively [6][7]. Here the implementation of the present method is shown in the figure in the form of the architectural approach and explained in the elaborative fashion respectively. Here we finally conclude that the present method is effective and efficient in terms of the performance based strategy followed by the outcome of the entire system in a well oriented fashion respectively [8].

IV. EVALUATION OF SENSORS

Sensor technologies have made an enormous impact on the modern day industries. There are thousands of sensors available on the market ready to be attached to a wireless sensing platform. In this particular section of the paper we look at some of the sensor technologies that are available and can be used for monitoring the parameters of a greenhouse. We also discuss their operating principles and make comments on their advantages and disadvantages.

1. Atmospheric Temperature Sensing Technology:

Temperature sensing technology is one of the most widely used sensing technologies in the world of sensors. It allows for the measurement of temperature in various applications and provides protection from excessive temperature excursions. Five different families of temperature sensors are available on the market. Each family of temperature sensors has its advantages and disadvantages. Depending on the application, one sensor may be more suitable than the other.

2. Thermocouples:

A thermocouple is a junction between two wires of dissimilar metals. The point of contact between the wires generates a voltage that is proportional to the temperature. Thermocouples are suitable for measuring over a large temperature range, up to 2300 °C [7]. They are less suitable for applications where smaller temperature differences need to be measured with high accuracy. For such applications thermistors and resistance temperature detectors are more suitable. Applications include temperature measurement for kilns, gas turbine exhaust, diesel engines, and other industrial processes.

V. LITERATURE SURVEY

A greenhouse provides shelter and protects plants from harsh environment and external interferences. It allows plants to grow under an optimum condition which maximizes the growth potential of the plants. The existing systems only allow for the monitoring of climate variables such as temperature or humidity and often overlook many other important factors such as CO₂, light, soil moisture, soil temperature etc. Neglecting these climate factors leads to inaccurate observation of the overall greenhouse climate condition. To make up for this weakness, the prototype designed for this particular research will allow better monitoring of the climate condition in a greenhouse by integrating several sensor elements such as CO₂, temperature, humidity, light, soil moisture and soil temperature into the system. The purpose of this paper is to provide a review of a range of popular sensors on the market. The paper also discusses their operating principles as well as addresses their advantages and disadvantages. Experiments were carried to test the accuracy of the sensors and the results indicate that the sensors used in this project are relatively accurate and have good stability.

A greenhouse allows the growers to produce plants in places where the climate would otherwise be unfeasible to grow them. It makes plant cultivation independent of the geographic location or the time of the year. It also provides shelter for the plants, protects them from harsh weather conditions, insects and diseases. It allows plants to grow under an optimum condition, which maximizes the growth potential of the plants. Various environmental factors influence the quality and productivity of plant growth. Continuous monitoring of these environmental parameters gives valuable information to the grower to better understand how each factor affects the quality and the rate of plant growth, and how to maximize crop yield. Several research teams are engaged in greenhouse monitoring using wireless sensor networks. [1-5] Work has been undertaken in our laboratories to design and develop a prototype of a wireless control network for environmental monitoring and management of a commercial greenhouse [6]. Experiments have been set up to test the feasibility and reliability of the system. The system is able to monitor up to six environmental parameters.

The environmental parameters that this project focuses on are:

- Atmospheric Temperature
- Humidity
- Carbon Dioxide (CO₂)
- Light Intensity
- Soil Moisture

In this paper we review a range of commercially available sensors and address their relative merits and demerits. A handful of sensors have been evaluated in the laboratory. The paper is arranged as follows: Section 2 presents a survey and evaluation of sensors; Section 3 gives an overview of the sensor station which has been designed and implemented; Section 4 presents discussion and evaluations of the selected sensors; Section 5 presents the experimental results of a few sensors and Section 6 will present the conclusions and recommendations.

VI. EXPECTED RESULTS

A lot of analysis is made on the present method and a number of the computation have been applied on the large number of the data set in a well oriented fashion and also the takes place in the different types of the environment in a well effective fashion respective. A comparative analysis is made between the present method to that of the several previous methods in a well oriented fashion and the implementation of the system is shown in the below figure in the form of the graphical representation and is explained in the elaborative fashion respectively. Here the present method completely overcome the drawback of the several previous methods in a well oriented fashion respectively.

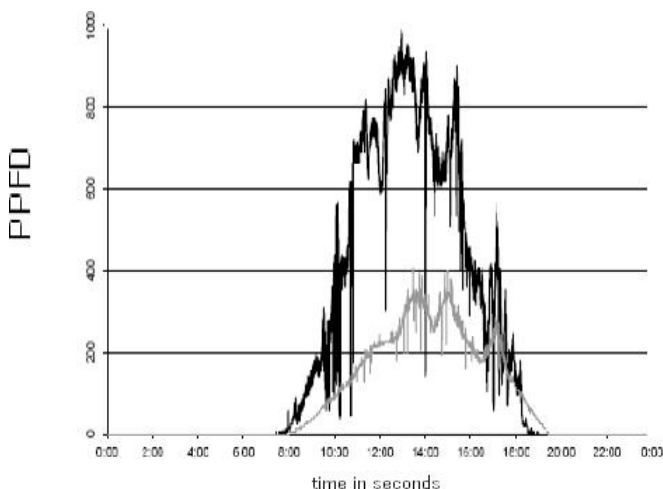


Figure 2. shows the graphical representation of the present method respectively

VII. CONCLUSION

In this paper a method is designed with a well effective framework oriented strategy in which there is a well powerful technique where there is a lot of improvement in the system with respect to the performance followed by the outcome of the entire system in a well oriented fashion respectively. Here a design oriented approach takes place in the system in a well effective manner system based on the

micro controller strategy where the control oriented measurement parameters takes place in the system in a well oriented fashion by the growth of the plant and some of them includes moisture, humidity, soil, temperature and the intensity of the light in a well oriented phenomena takes place in a system in a well respective fashion. Here the obtaining of the measurement oriented results in a well accurate fashion by the reliable and well accurate performance of the system in an oriented fashion respectively. Here the implementation of the present scenario takes place by the help of the complete overcome of the problems related to the several previous methods in a well oriented fashion where there is a huge reduction of the consumption of the power based strategy followed by the complexity and the maintenance in a well oriented fashion respectively.

REFERENCES

- [1] Turnell, D.J. deFatima, Q.V., Turnell, M., Deep, G.S., Freire, R.C.S., Farm Web-an integrated, Modular farm automation system, Proceedings of IEEE International Conference on Systems, Man, and Cybernetics, Vol.2, Oct., pp. 1184 - 1189, 1998.
- [2] M. Mancuso and F. Bustaffa, "A Wireless Sensors Network for Monitoring Environmental Variables in a Tomato Greenhouse," presented at 6th IEEE International Workshop on Factory Communication Systems in Torino, Italy, June 28-30, 2006.
- [3] Ahonen, T., Virrankoski, R., Elmusrati, M. (2008). Greenhouse Monitoring with Wireless Sensor Network. Proceeding of Mechnronic and Embedded Systems and Applications, 2008. MESA 2008. IEEE/ASME International Conference, pp. 403 – 408.
- [4] Myke Predko, Programming and Customizing the 8051 Microcontroller, TMH, 1999.
- [5] G. Montenegro and N. Kushalnagar, "Transmission of IPv6 Packets over IEEE 802.15.4 Networks," Internet-Draft, IETF, September 2007.[Online]. Available: <http://www.ietf.org>.
- [6] Ramakant Gayakwad, Operational Amplifiers Linear Integrated Circuits, Prentice Hall of India, 3rd Edition.
- [7] SENSORS- The Journal of Applied Sensing Technology, Advanstar Communications Inc.
- [8] Leong Boon Tik, Chan Toong Khuan, Sellappan Palaniappan Monitoring of an Aeroponic Greenhouse with a Sensor Network International Journal of Computer Science and Network Security.Vol.9, March pp. 240, 2009.