

Women Survivor Shoe

Dharanikumar Baskar¹, Suresh sakhivel², Jayachandran ravichandran³

^{1,2,3}Dept Of Electronic And Communication Engineering

^{1,2,3} Apollo Engineering College- Poonamalle

Abstract- In Today's world women are facing many problems in day to day life. The major problem is women harassment. Both the working and non-working are facing the same problem in their daily life. According to the surveys of past few years so many cases are filed under women harassment. So as a citizen we have think about reducing this type of problems towards women and to save women.

I. INTRODUCTION

In America article says India is a one of the most register number of cases in women harassment. So, our country is not safety of women's. So many engineer's design inventions to product our women safe our life. Example for few inventions are, Electronic glosses, pepper spray, instant shock device, et. We are implementing a new technique and design device to product itself. That device name is "Women Survivor Shoe". This device used only for women. because, a cheap mentality stranger abuse woman in midnight time, that time they call and have no help. This device product and safe his life.

II. APPARATUS REQUIREMENTS

Normal Shoe, NodeMCU, GSM (Global System for Mobile),GPS (Global Position System), Volt meter, HW Battery, Switch, Connecting Wires, Needle.

GPS (Global Position System)

GPS is a satellite-based navigation system. It uses a digital signal at about 1.5GHz form each satellite to send data to the receiver. The receiver can then deduce its exact range from the satellite, as well as the geographic position (GP)of the satellite.

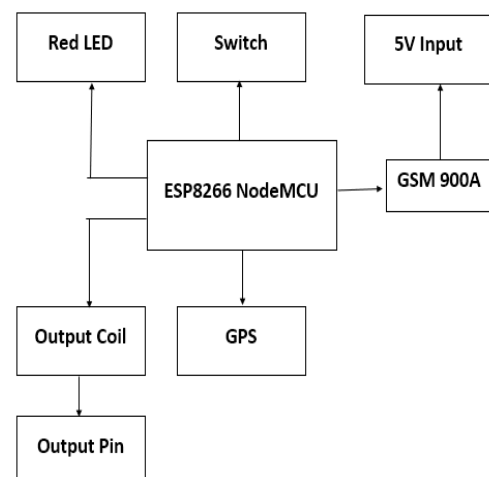
GSM (Global System for Mobile)

GSM makes use of narrowband Time Division Multiple Access (TDMA) technique for transmitting signals. GSM was developed using digital technology. It has an ability to carry 64kbps to 120Mbps of data rates.

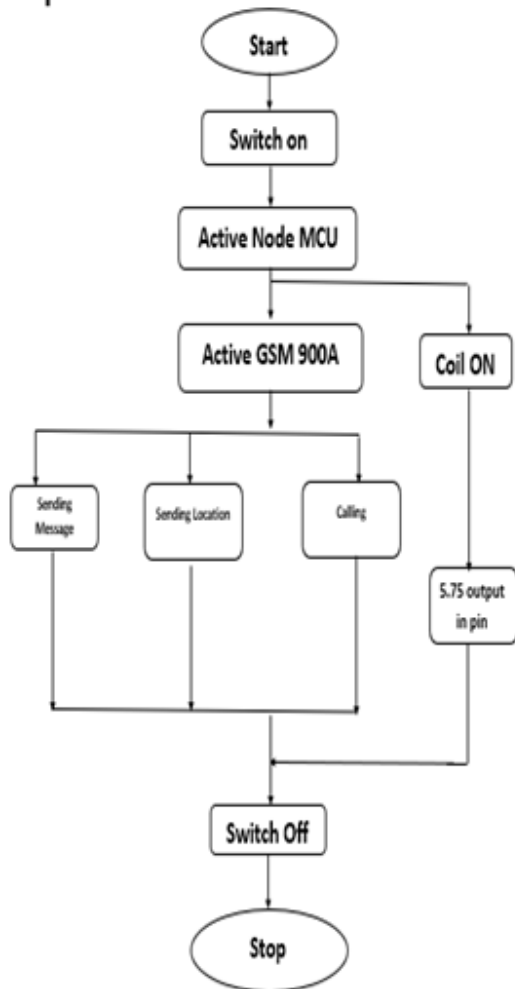
III. WORKING PROCEDURE

In This Project, region on **IoT** (Internet of Things) based concept. That normal shoe is embedded within above components. This project is implemented with Arduino programming language. If this Shoe works, this shoe will have a switch at the user's feet. User once switch on the device, that needle coming out of the shoe and its pass approximately, **5.75V** current to that opponent person. We are using low voltage for our safety measure. Once if it's on, the **GSM** (Global System for Mobile) sends alert message to prograded phone number (parents or well-wisher number) with the scene of the accident location. If a person gets **~5.75V** of electricity, he will faint. This time will be enough for that women to escape. Then identify the accident place and we can go and help the women and rescue her. We can use these types of shoe for implementation and fit our project. This shoe is an insulator and does not cause any harm to the user. User we can use this at any time in any weather, so there is no harm in it.

IV. SYSTEM ARCHITECHTURE



V. PROJECT IMPLEMENTATION



VII. CONCLUSION

Now a day's women are facing many Domestic violence in the society. Because of that they are afraid to go alone in night. The violence against women are increasing day by day. So now we are introducing the Women Survivor Shoe as the weapon to protect them self by alerting the situation to their parents and police to get a help easily.

VI. RESULT AND DISCUSSION

That Needle charges approximately 5.75 voltage of power over whoever we put it on. Below figure 3 shows the needle passes that electricity view in voltmeter.

