

Humans Emotions Extraction From Image Analysis

Seelam Sowjanya¹, Dr.Barani Sundaram², Sisay Deresa³

¹Assistant Professor, Dept of Computer Science and Information Technology,

²Dept of Computer Science and Information Technology,

³Assistant Lecturer, Dept of Computer Science and Information Technology.

^{1,2,3} Defense University College of Engineering, Bishoftu, Ethiopia

Abstract- *To concludes the knowledge of the visible structure of the photo of Premeditation Dust. Now, there are images of a massive change in wild associations for Facebook, Google Plus and animals. These images are crucial for the customers concerned in informal online communication organisations. Therefore, the picture of the survey showed that the show would sound a massive crisis in the field of online information on research. Some studies concentrate the work in the investigation of the attachment to the print. And that fewer controls have been made for models to have goodwill. To change the agreement, in our opinion, the view of the labour discipline of this new way of dealing with the treatment review or the fall to predict. We use the parameters of the Hyper-gain sound to think about the convolution model of the neural system which consists in introducing our system to avoid the binary search for honour. Online is the image and not the copy of the rendering in a data set does not prove the most powerful at work in the current implementation of this line has been taken from ours.*

Keywords- Image Analysis, Emotion, Image, Feature Extraction.

I. INTRODUCTION

The great city online informal vital part of our daily life. One of his guests and partakers of a large amount of printed and visual matter will be perfected, the foundation to express their feelings. This substance shows the disposition practices and delivers billions of people around the world. To the intervention of the authorities of the bodies of the persons and also to transfer the data do customers in various Institutes under the exchange. As is the custom to hand over the life of the differently by different authors to give the care of the support of his companions to shut up in different societies. The activity of hesitation in this matter has been created that can help prevent and understand the behaviour developer. The information obtained from such executives may benefit some applications, for example, predictive display, the administration framework recommendation article: Web over the presentation, and so on. Many scientists have seen these studies were conducted to analyse the model is not affected by

the judge mines friendly communities literary properties. [1] [2] [3].

Finally, they have not gained a little more than a literary Then it shall include interpersonal customers from a variety of organisations, like Facebook, Instagram, Snapchat, Flickr, Twitter, etc. [7]. Regularly sent messengers to the state of the true and the substance of the visual, literary, or none, which is a pithy sentence: Self-Control. This way, the client express particular virtues visual sense and the impact on this type of substance. It also obtained images of the tongue easily exceeds the limit.

When different types of images collected his tweets Demo shared. Although the trial is a significant degree of force to study away from the substance of the research is still rudimentary visual estimation is taken up on stage. For more sense to divide the photo is awkward. Review of the protest is not meant, however, the question of the conclusion of an image is usually defined as more dynamic. Visual upon learning of them, which includes an examination of the senses application stage, action and passionate environment. Bring the hands of the weekend to give the opinion of the images requires a lot of effort and time. The provision of learning is because of the knowledge of the result of regulation Donec get to be easy to do the images of immense depth, collected in the various countries. Hence it is that it was from the vision of a flaming brand from the faction of the photos of others we have a PC with one another unexplored, such as a complaint, what is the same imitation.

Plans are shown to the colossal doctrine of high-performance PC viewing area. [8] Extensive visual technique used for confirmation is to the convolutional neural network (DILLSUITE.COM). CNN has a visual model for the performance of the men that they may evolve the recognition.

The kind of abuse in the use and exchange whereas we would Hyper, to present him to the displayed model of the parameters of the image is complete by CNN affiliate not to injure anyone. We will show a visual assessment system

analysis, a steady and well as the best performance among the most evident CNN realises the standard data set.

But all the rest of the article has a composition concerning this, Let me briefly sets forth the two related work. Since the proposed structure is a visual search estimates that argument.

II. RELATED WORK

The sea was a storm of sand in 2012, the reason why it will be a positive result is that the effect of human-made disasters in its ranges: between the pitiable online networking. And social networking online was killed as a crucial reaction piece; it was dead. Several ways show how the web and the hero's social networks have ruined the chance of Hairicin Irene, California, a gas explosion in 2010, which has been made without disrupting Japan, flooding more than Genoa and Ebola now. It can lead to the advent of the networks using social networks for friends and family and good education, and the people of experts can indicate the loss of support among fiascos. Poor mail allergy investigation during a networking capacity could recognise the gifts that spatial memory and understanding of the frenzies flow system feel emotions of customer entertainment and anxiety, the distraction of the number of people who put the customers let among dead leaders improve the primary possibilities. The nature of what is given is, therefore, to recover the data on its offer, it has been able to expand the rise of being in prayers already and better.

Returns to the high visual examination examine the weekend assumption of the types. CV | weekly service level as Al Siersdorfer. [6] providing image provision. Some of the emotions that communicate with these special measures result in Borth et al. [7] to be used with questions from Flickr images in poor condition. Then, the pictures of the spread of the paint are considered at the intermediate level; the rise is not. Yuan et al. [7] A comparable model recommended with about half or less of visual quality level tests.

The ALLERGY survey of social networking web-based web activity is challenging. At a great time of time, regular customers are the massive delivery of information in a way that meets each other. These are a non-class type, short content, mix and images. However, there are some beautiful moments investigated on this type of work, the number of substances that are printed. What is reasonable, primarily if the reference to the hypothesis is understood in a straight period, is thought to be a snake. Designed for use in solid hashtags useful and harmful rumours ASCII brand smileys taking a critical survey. The work directed, commend the

relationship between the signal to the company's standards to the children's side. The revolutionary nervous system is found like the problem to verify that the nervous system requires the built-in Facebook knowledge of such supplements Fairy Vessel Machines (guides), Maximum Intercity and one of the management information conclusions A question asked Twitter Stronger Neural network carefully through the press material template.

Emphasize speech derogation with reality on the one-dimensionality of the image as a reduced vector. This approach is useful when painting the size of a large diminished element and has the entire necessary model for shopping, for example, painting, coordination and recovery. Emphasize the same, including the extraction and coordination of fundamental PC issues often under the care of the consolidated opinion, for example, marking the discovery and knowledge after recovering an image from lifting material and raising awareness of the surface.

Picture preparing and include extraction

This picture has a couple of folds and photographs. Think of each pixel as a cell of the grid. At this time, this phone has three different power data, taking into account the red, green and blue shading. Thus, an RGB image is a 3D lattice. Each force is some red, blue and green forces.

How does highlights extraction on pictures function?

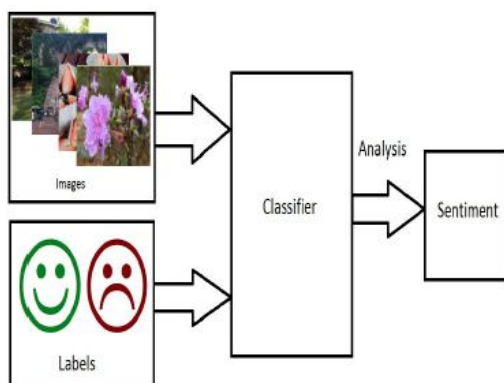
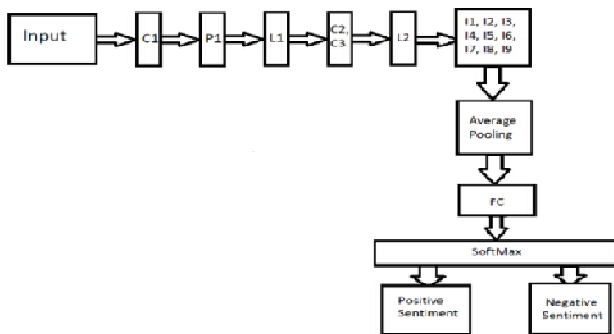
There is no answer to this question because there are many different parameters of strategies for erasing an image from an image.

To start with, what is it for? "unacceptable property or part of something". It is, therefore, something to have a specific qualification for a particular occasion that makes this example different from the partners. In the field of graphics, highlights of important issues, such as digital recognition of a predicted Most database, can be striking points. Nevertheless, the use of a standard pixel in conventional paints is not very clear. Instead, two essential vapours must be followed. One of these is the design elements designed by extraction strategies. Keep in mind that the second option is now to learn, hot wheels.

I will give two diagrams, one for each stream. One of the prefabricated manuals that are designed is SIFT (changing an independent scale component). From the profane bed, SIFT begins by distinguishing the edges and corners of the image. In the new model, SIFT tries to discover that his interest (a part of interest) focuses on separating this image from the

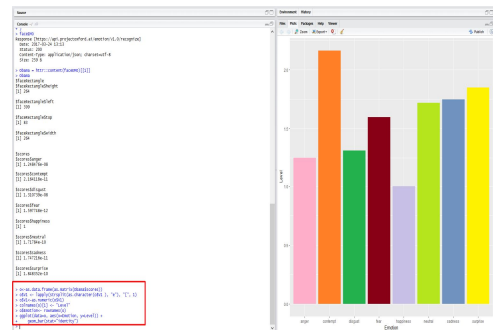
others. At this point, it makes a histogram for everyone when checking each of the containers with the introduction of a particular edge or corner. These encodings can be linked or quantified in a more moderate number of meetings with a group technique such as the understanding of K.

This is the second stream, which is taught to show, most represented by Deep Learning computers or problem-solving techniques. Again, the profane term involves collecting resources that can classify a class of the other classification with some regular computers or non-services. For example, you can use the Perception standard programmatically and provide alternative routes in each layer in a management parameter. On the other hand, you can use the non-functional calculation as Auto-Encoders. Auto-Encoders try to inactivate the expression of the planning of learning events to identify the least recreational error. In this way, we can probably reflect the information that each of the latent variables gives alternative characteristics to the images. For example, a sleeping unit can be dynamic if the copy is provided or that can be dynamic with the type of shape



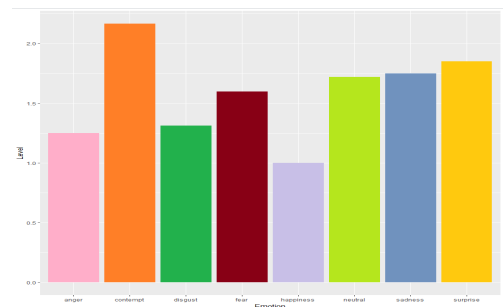
The above image explains the architecture of the system in extracting the features of the online photos.

III. EXPERIMENT RESULTS



Reports Generated

We utilise grid organise yield where X-pivot signifies the Emotions of a man and Y-hub means the level of a feeling with the assistance of GG-PLOT2 bundle.



Report of an Emotion

Feelings like outrage, scorn, sicken, fear, satisfaction, unbiased, bitterness, the amazement of a picture appears at changed levels.

IV. RESULTS

According to the investigation by the light source image and the image of God. We can understand the mind of the image. The results may give exact opposite feelings in the pictures. Must be the most advanced upgrade the system. This provides the authenticity of extraction

V. CONCLUSION

Visual content analysis of the social network to understand the behavior of users can provide useful information for the information related to the report. A technique of visual sense transfer analysis of some models and learning modules such as G, R-language HTTR etc. The language used to develop the A-characteristics of this project due to its enormous production to project the understandable

human way. Analysis, Our model, can be provided on a large scale with multimedia content to understand user feedback, advertising and predictive modelling. Maybe useful for following movements of people with mental disorders. At present, the need to extend the integration of text and image-related labels for the development of a more robust model.

We also want to apply to our model and break the content of the video system. Finally, you may need to examine the semi-managed and clear reasons for careful planning of in-depth learning planning.

REFERENCES

- [1] B. O'Connor, R. Balasubramanian, B. R. Routledge, and N. A. Smith, "in Proceedings of the 2010 IEEE/WIC/ACM International Conference on Web Intelligence and Intelligent Agent Technology - Volume 01, ser. WI-IAT '10. Washington, DC, USA: IEEE Computer Society, 2010, pp. 492–499. [Online]. Accessible: <http://dx.doi.org/10.1109/WI-IAT.2010.63>
- [2] S. Asur and B. A. Huberman, "Foreseeing the future with social media, "From tweets to surveys: Linking content notion to popular conclusion time series." ICWSM, vol. 11, no. 122-129, pp. 1–2, 2010.
- [3] J. Bollen, H. Mao, and X. Zeng, "Predicting elections with Twitter: What 140 characters uncover about the political notion." ICWSM, vol. 10, pp. 178–185, 2010.
- [4] A. Tumasjan, T. O. Sprenger, P. G. Sandner, and I. M. Welp, "Twitter inclination predicts the stock market," *Journal of Computational Science*, vol. 2, no. 1, pp. 1–8, 2011.
- [5] X. Zhang, H. Fuehres, and P. A. Gloor, " ICWSM, vol. 11, pp. 450–453, 2011.
- [6] J. Bollen, H. Mao, and A. Pepe, "Demonstrating open state of mind and emotion: Twitter supposition and financial marvels. "Anticipating securities exchange markers through twitter I trust it isn't as awful as I fear," *Procedia-Social and Behavioral Sciences*, vol. 26, pp. 55–62, 2011.
- [7] A. Karpathy, G. Toderici, S. Shetty, T. Leung, R. Sukthankar, and L. Fei-Fei, "Huge scale video classification with convolutional neural systems," in *Proceedings of the IEEE meeting on Computer Vision and Pattern Recognition*, 2014, pp. 1725–1732.